



**Reeco**

**Reeco**.info

# REECO Robots

## READY TO USE SOLUTIONS

REECO Robots do not require any complicated planning or integration and can be easily integrated into a production process. They allow companies with little to no automation experience to utilize modern robotic solutions.

## QUICK RETURN ON INVESTMENT

REECO Robots have been designed to allow even small and medium sized companies to automate their processes. Although they use highest quality materials and components, they are characterized by low initial investment and low maintenance costs.

The manufacturer of the robots is Yamaha, whose representative in Poland and the Balkan countries is RENEX.



[WWW.RENEXROBOTICS.COM](http://WWW.RENEXROBOTICS.COM)



SMEMA communication allows several machines to work in line.



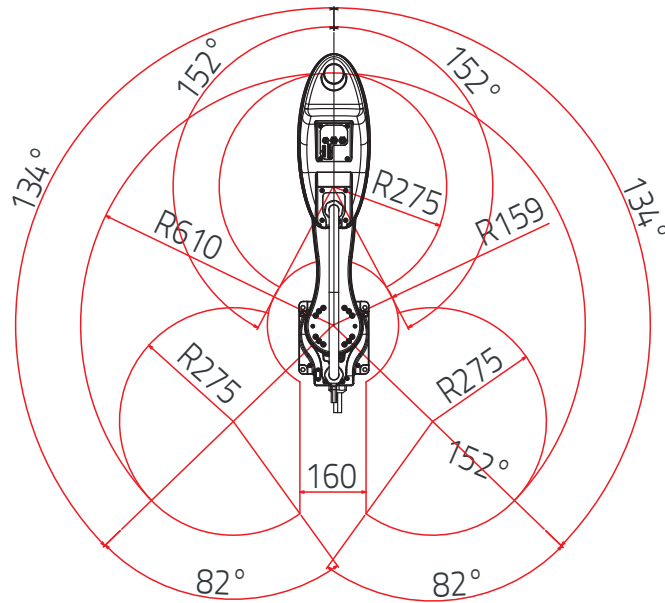
### **MADE FOR YEARS OF OPERATION**

REECO Robots have been designed and made for high intensity industrial operation. Robust materials and highest quality components allow for years of low maintenance operation.

### **QUALITY AND REPEATABILITY**

Thanks to the use of YAMAHA SCARA robotic arm REECO Robots achieve high repeatability of operation. Each task is performed with the same precision and level of quality.





	X axis	Y axis	Z axis	R axis
Range	R 610 mm			
Arm length	335 mm	275 mm	200 mm	-
Available rotation angle	+/-134°	+/-152°	-	+/-360
Servo Power	400W	200W	200W	200W
Repeatability*	+/-0.01 mm	+/-0.01 mm	+/-0.01 mm	+/-0.01°
Maximum speed	8.6 m/s	8.6 m/s	2 m/s	2600°/s
Maximum load	10 kg			
Weight	25 kg			

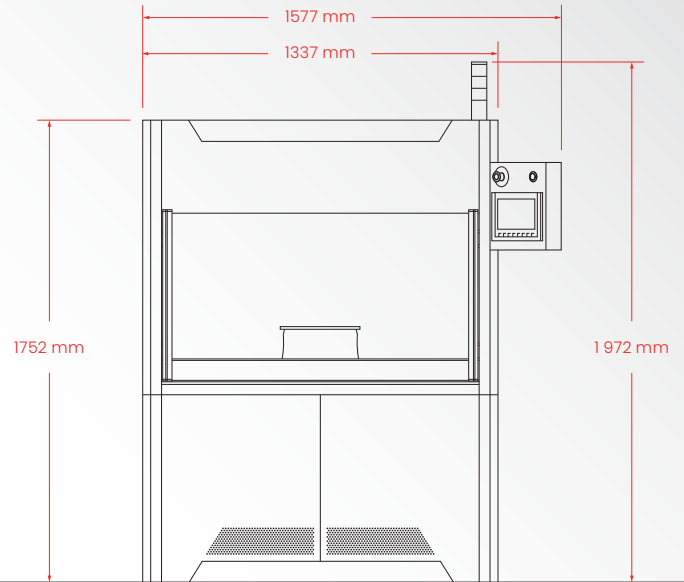
\* With a constant ambient temperature



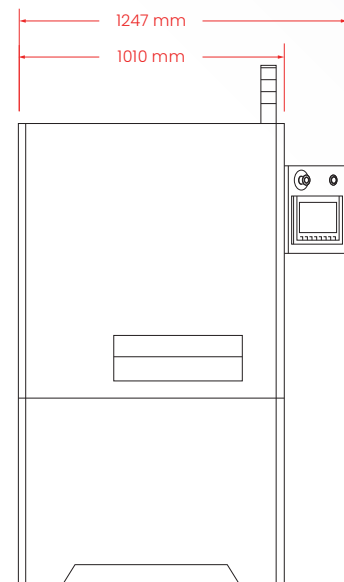




## Front



## Side

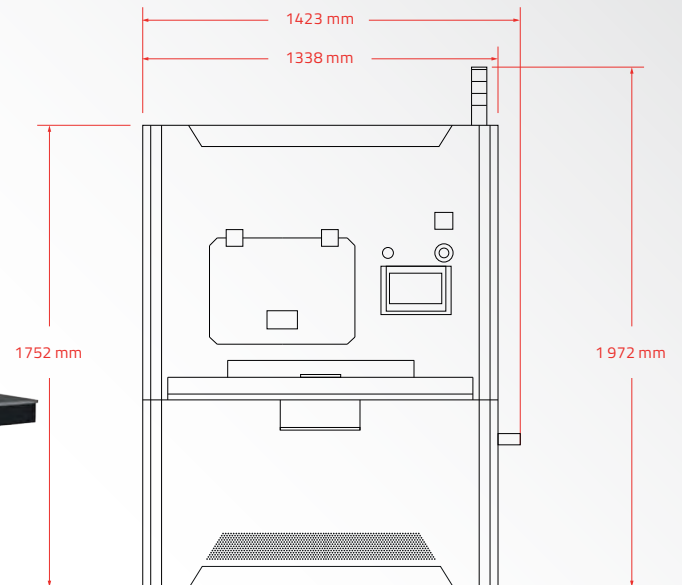


### EDGE CONVEYOR

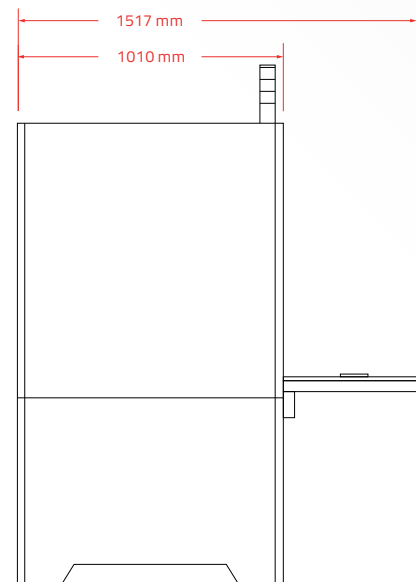
This version of REECO Robots was developed for inline use. The machines can be set up in series or combined with other types of equipment. The robots are equipped with standard SMEMA system allowing for easy connection.



## Front



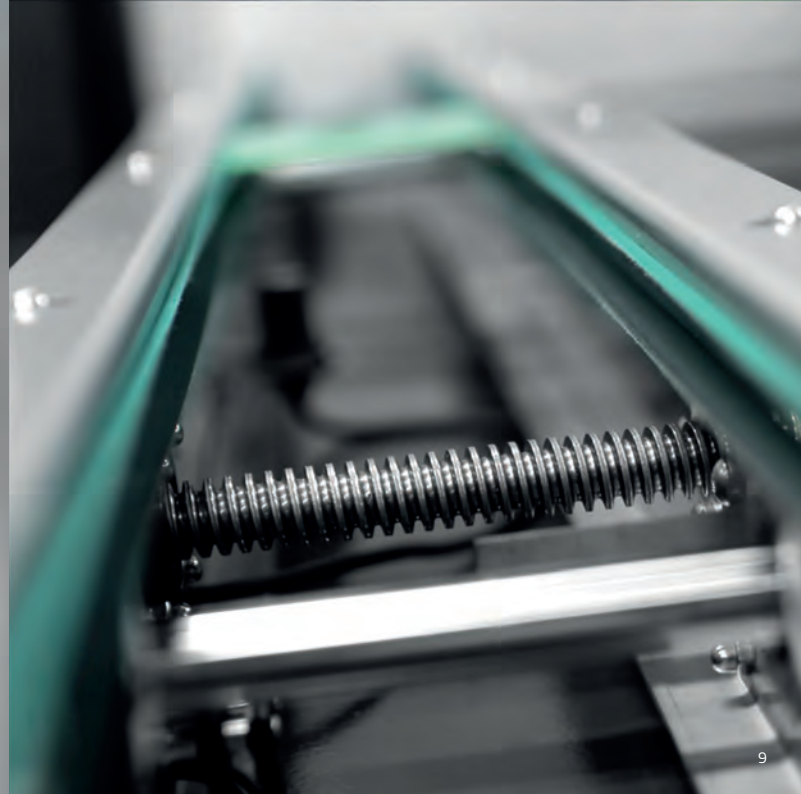
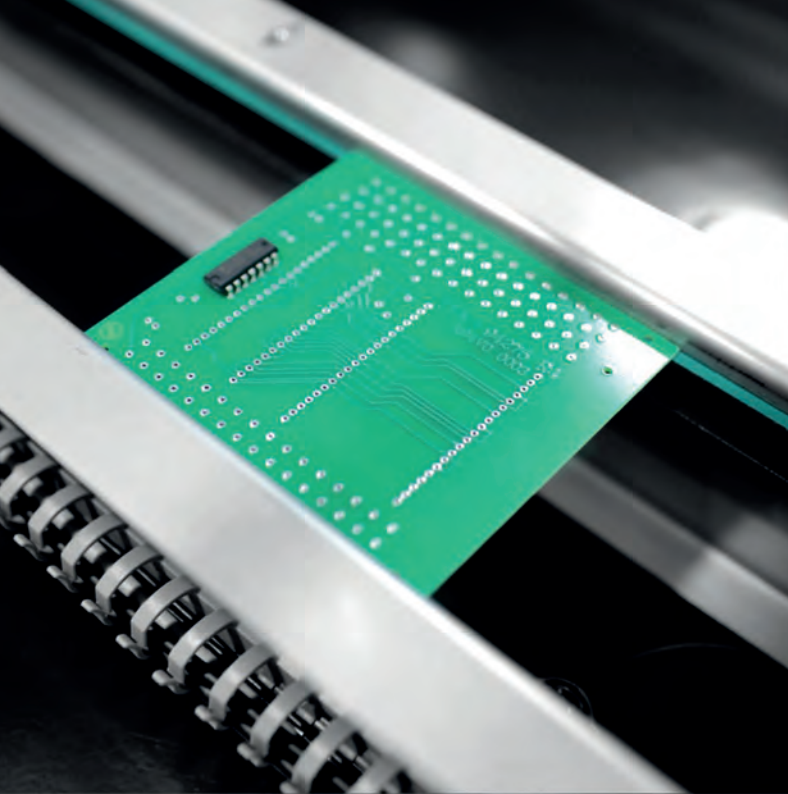
## Side

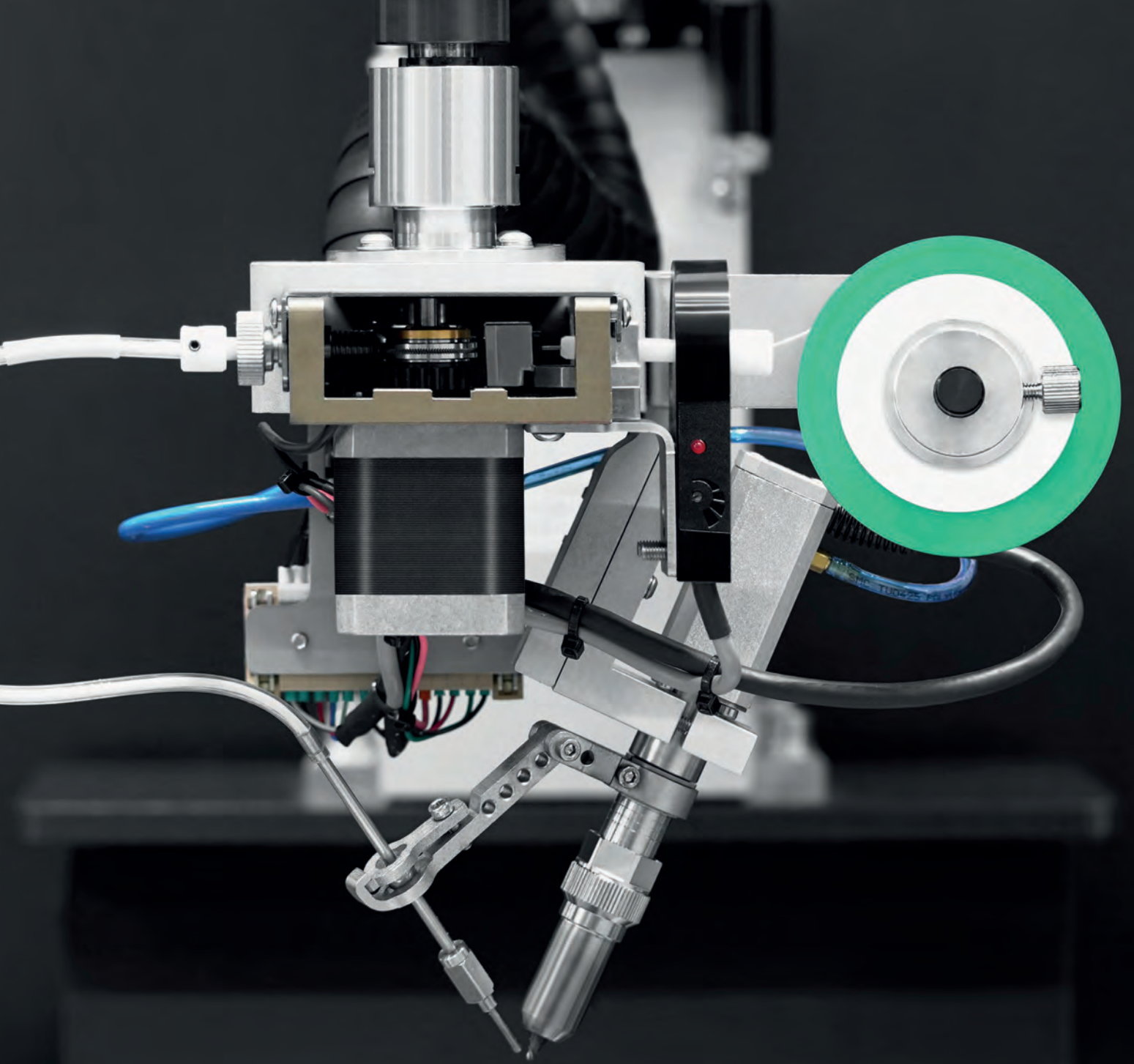


### ROTARY TABLE

The solution was developed for situations in which REECO Robots are used offline. It enables ergonomic manual insertion of a workpiece (e.g.PCB) into the work area. While work is performed on one side of the rotary table, the operator can safely use the other side to prepare the next workpiece allowing for uninterrupted workflow.







# Soldering Robot

## Technical specification

- Automatic mechanical workpiece positioning
- Process parameters controlled by the PLC
- Solder feeder with feeding profile configuration
- Mechanical solder tip cleaner
- Possibility to control the soldering profile for each point
- Automatic calibration of the soldering tip position

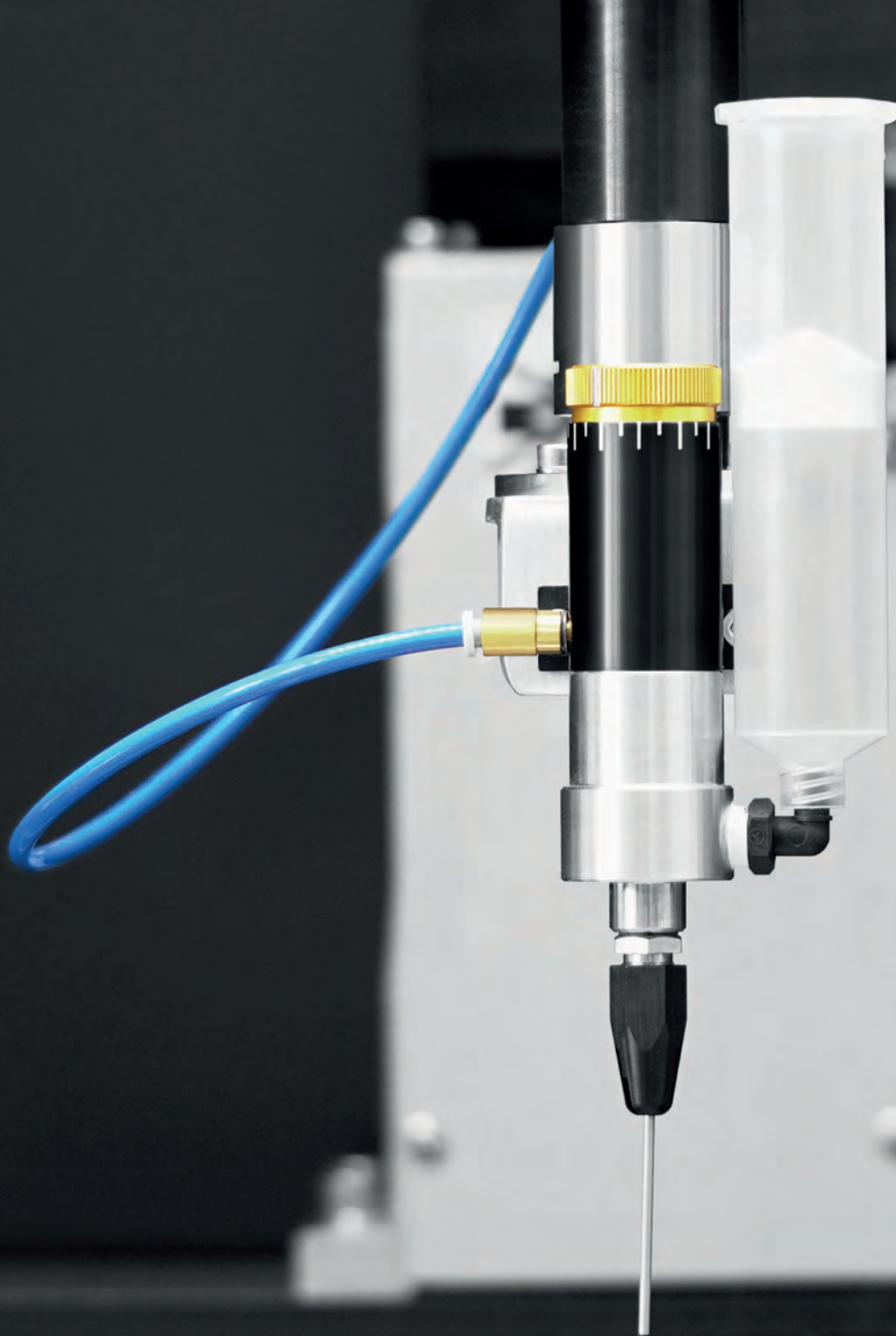
## Options

- Vision system for workpiece positioning
- Vision system for soldering quality control
- Statistical data gathering
- Traceability
- Nonstandard diameters of solder wire
- Nitrogen shielding
- More than 40 different types of soldering tips available

Standard diameters of soldering wire	0.8 mm   1.0 mm   1.2 mm
Supported applications	Width: 350 mm   Length: 420 mm

Larger systems are available upon individual request





# Dispensing Robot

## Technical specification

- Automatic mechanical workpiece positioning
- Possibility of dispensing various mediums: including adhesives, acrylics, silicones
- Wide range of containers, pumps and valves available
- Possibility to control the dispensing profile
- Automatic calibration of the tool position

## Options

- Vision system for dispensing quality control
- Two-component mixing system
- Progressive cavity pump
- Statistical data gathering
- Traceability
- Monitoring of the dispensing profile (measurement of medium flow)

Supported applications

Width: 350 mm | Length: 420 mm

Larger systems are available upon individual request.





# Screwdriving Robot

## Technical specification

- Automatic mechanical workpiece positioning
- Automatic screw feeder
- Vacuum pick up system
- Torque control
- Automatic calibration of the tool position

## Options

- Vision system for workpiece positioning
- Vision system to ensure the presence of screws after the process
- Screwdriver with two torque converters
- Several screwdriving profiles
- Statistical data gathering
- Possibility to control the screwdriving profile depending on the workpiece
- Possibility to record the tightening profile of each screw
- Traceability

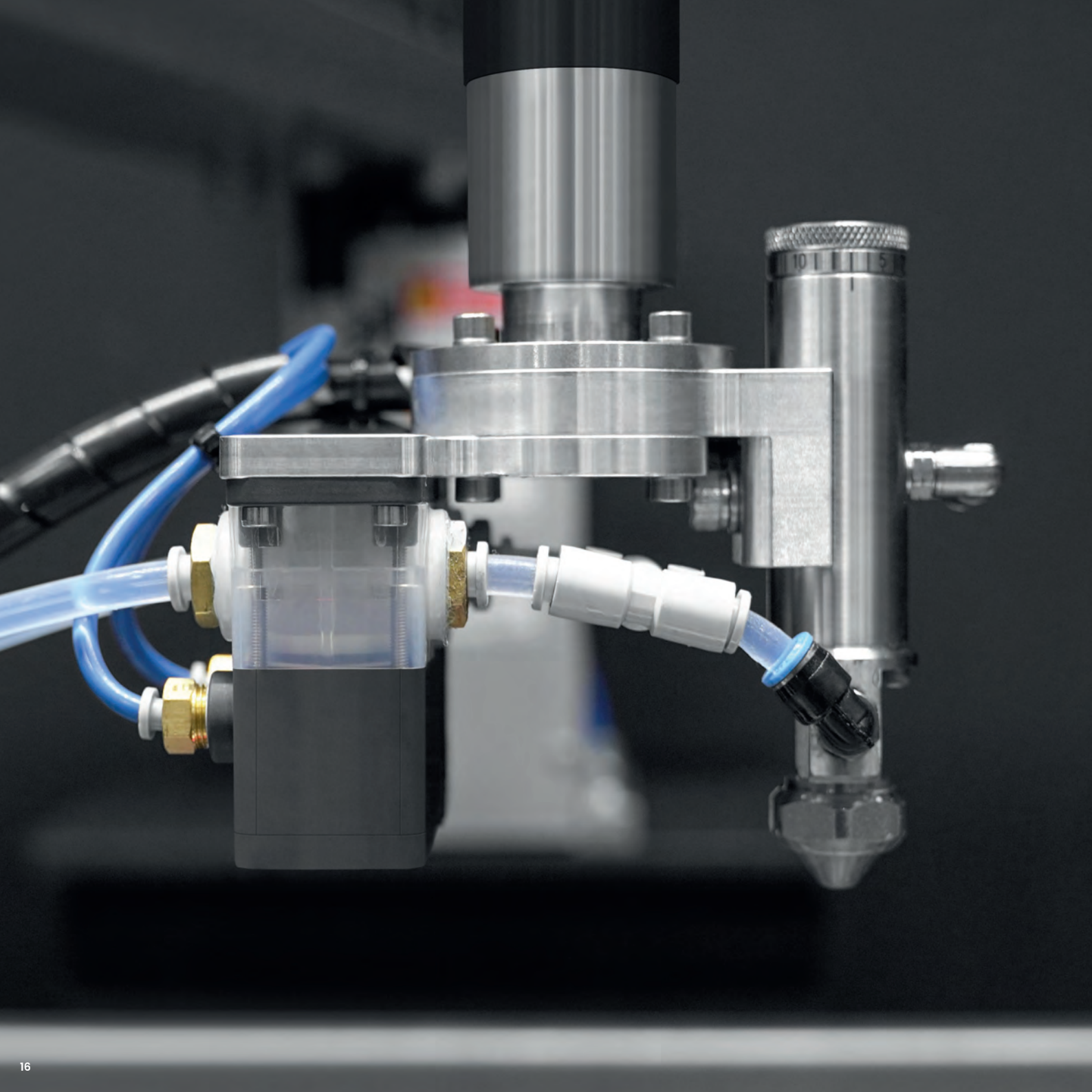
Supported applications:

Width: 350 mm | Length: 420 mm

Larger systems are available upon individual request.

Torque

0.05 - 5 Nm



# Conformal Coating Robot

## Technical specification

- Automatic mechanical workpiece positioning
- Possibility of selective spray application of various coatings
- Various types of medium containers can be used
- Possibility to control the coating profile
- Automatic calibration of the tool position

## Options

- Vision system for workpiece positioning
- Vision system for quality control
- Statistical data gathering
- Traceability
- Vapor extraction in the table
- Automatic flushing of valves
- Possibility of installing 2 valves per head

Supported applications

Width: 350 mm | Length: 420 mm

Larger systems are available upon individual request

# Individual solutions

It is extremely important to choose the right partner who has the experience and expertise to handle customised projects. Thanks to our qualified personnel, experience and specialised technological facilities, we are able to tailor products and services to meet the individual needs of the customer, technically, functionally and aesthetically.

We provide comprehensive support throughout the entire automation process. We supply the equipment, install it, train the operators and provide warranty and post-warranty service.

**REECO** robots can be used in industries such as:



AUTOMOTIVE



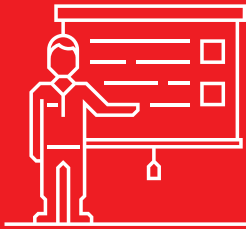
PRECISION ASSEMBLY PLANTS



FACTORIES







## Training

We provide training for engineers, technologists and maintenance services in robot operation and programming.



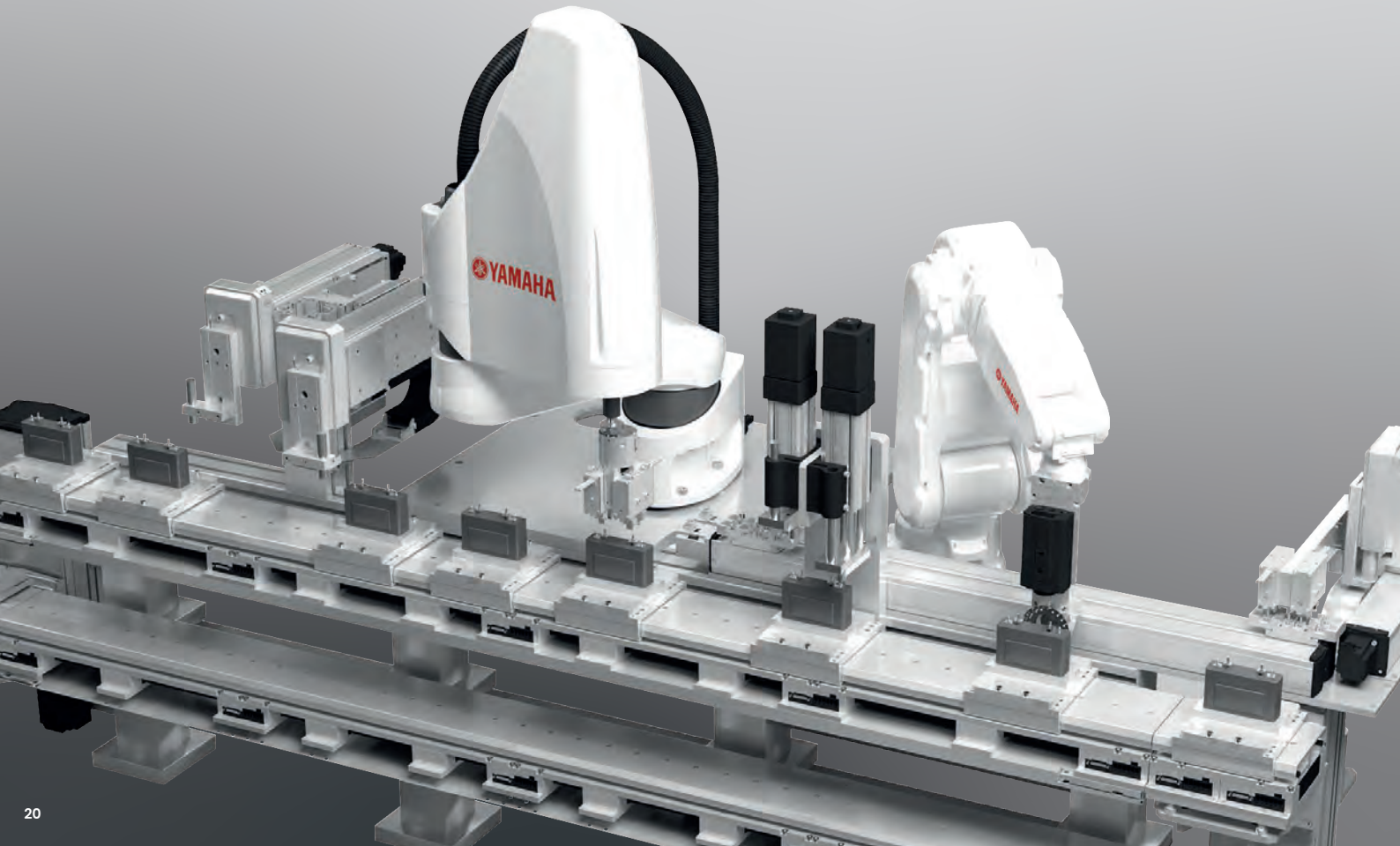
## Technical support

We provide professional assistance both at the customer's premises as well as at RENEX Technology Centre.





PRODUCTION AUTOMATION,  
VERSATILE SOLUTIONS







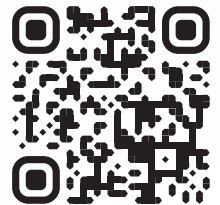
# RENE X ROBOTICS – MANUFACTURER OF REECO ROBOTS AND DISTRIBUTOR OF YAMAHA INDUSTRIAL ROBOTS

RENE X is a partner of YAMAHA and the exclusive official distributor of YAMAHA robots in Poland and the Balkans. RENEX, in collaboration with partner companies, provides solutions for production plants in industries such as electronics, automotive, medical, food, and precision mechanics. We offer a full range of YAMAHA robots and provide technical support in the form of implementations, training, and consultations.

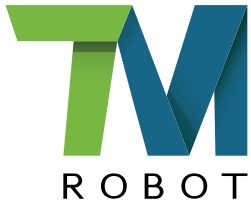
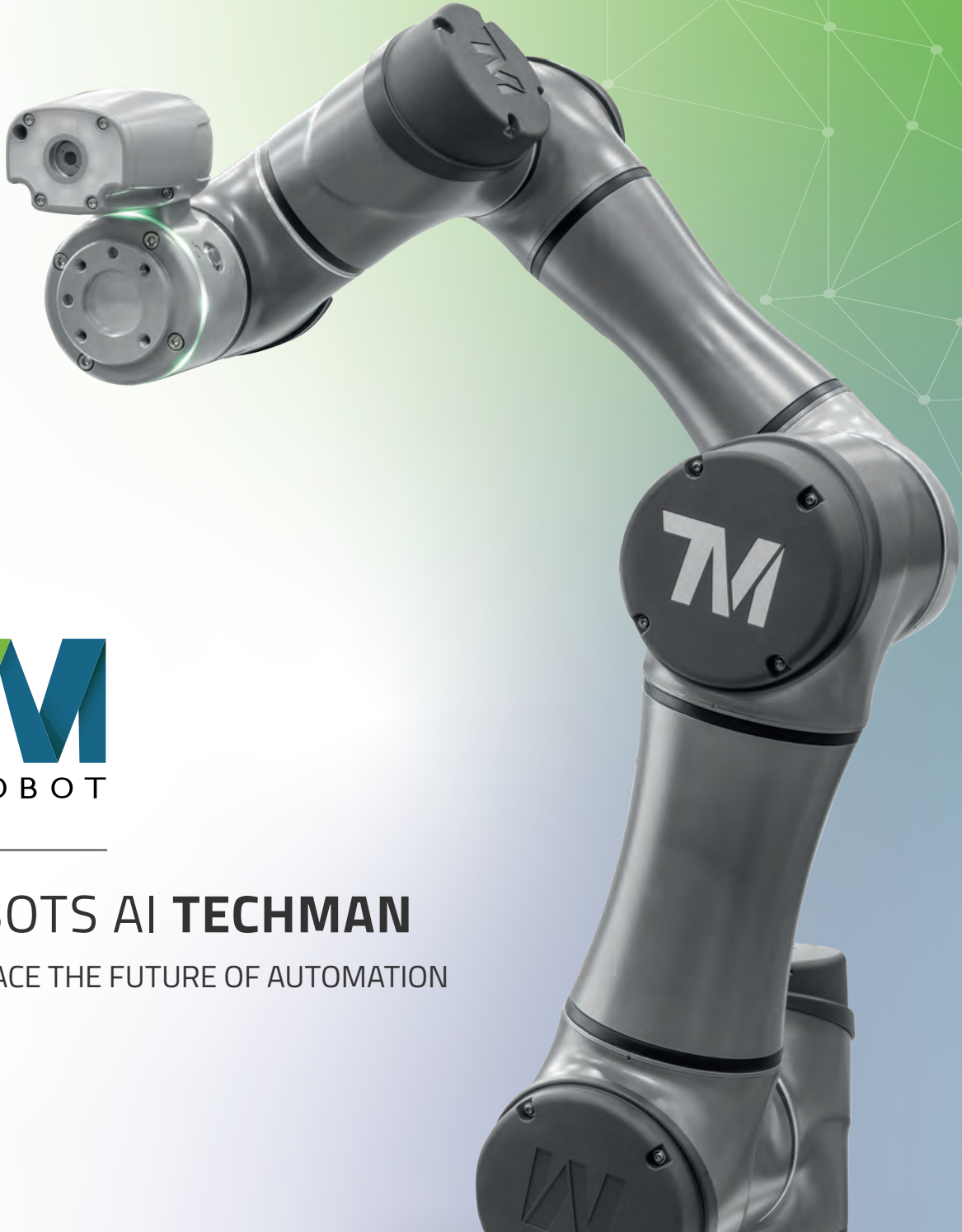
The use of advanced YAMAHA Robotics industrial robots allows companies worldwide to optimize production processes. Robots reduce costs, speed up processes, increase precision, and minimize waste, making them applicable across all industries. The current demand for maximum automation of production processes has become a necessity. Companies that do not take this step will soon be unable to compete in local and global markets.

*RENE X offers both equipment and the design of customized solutions tailored to the needs of the customer.*

LEARN MORE



**Reeco**.info

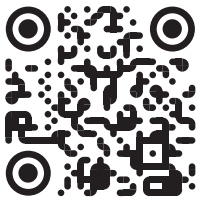


---

## COBOTS AI **TECHMAN**

EMBRACE THE FUTURE OF AUTOMATION

# TECHMAN Cobots



LEARN MORE

- **Integrated Machine Vision**

Techman cobots feature integrated cameras that enable object recognition and precise manipulation. The built-in vision system supports automation, for example, in quality control or sorting processes.

- **Ease of Programming**

Their programming is intuitive thanks to the “drag-and-drop” method and a teaching-by-demonstration system, which simplifies the deployment of robots for new tasks.

- **Safety in Human Collaboration**

Techman cobots ensure safe collaboration with humans thanks to collision sensors that automatically stop the robot in the event of contact.

- **Applications**

Techman cobots are used in assembly, packaging, welding, and sectors such as automotive, electronics, pharmaceuticals, and food industries.

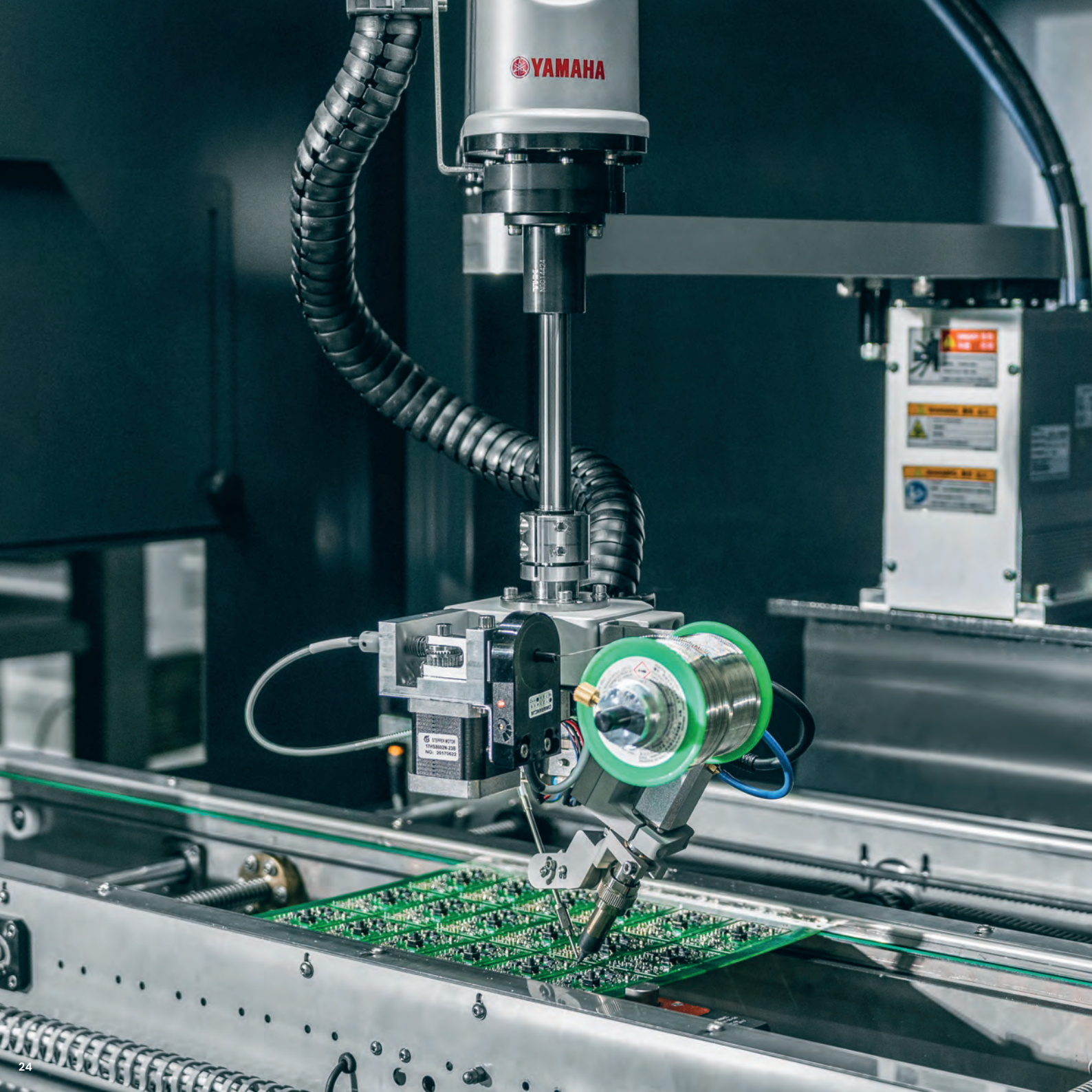
- **Models**

Techman offers various cobot models, such as TM5, TM7, TM12, TM14, and TM25, which differ in payload capacity and arm reach.

- **Integration with AI and IoT Systems**

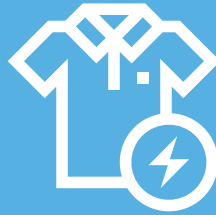
Techman integrates cobots with AI and IoT, enabling advanced industrial process automation. This allows for remote monitoring, diagnostics, and optimization. Cobots are popular due to their flexibility, ease of use, and advanced features, supporting automation across many industries.







**Reeco**  
*ESD Workstations*



**Reeco**  
*ESD & Cleanroom Clothing*



**Reeco**  
*Robots*



**Reeco**  
*Equipment*



**Reeco**  
*Cleanroom*



**Reeco**.info

# MANUFACTURED IN POLAND

## AWARDED WITH:



AWARD OF THE MARSHAL OF THE VOIVODESHIP  
KUYAVIAN-POMERANIAN



Marszałek Województwa  
Kujawsko-Pomorskiego  
Piotr Całbecki





# REECO

## SPECIALISED SOLUTIONS FOR INDUSTRY



POLISH BRAND

**35+**

YEARS OF  
EXPERIENCE

**6**

FOREIGN  
BRANCHES



**3000m<sup>2</sup>**

PRODUCTION  
AREA

**160**

EMPLOYEES



## Headquarters

Al. Kazimierza Wielkiego 6E  
87-800 Włocławek, POLAND

T: + 48 54 427 04 00  
E: [office@reeco.info](mailto:office@reeco.info)

Product Manager

T: + 48 601 592 555  
T: + 48 855 592 555  
T: + 48 605 614 630



## FOREIGN BRANCHES

### Romania

#### BRANCH HQ:

Municipiul Timișoara, Strada  
Gheorghe Lazăr, Nr. 24A,  
parter, spațiu NR.6,  
Județ Timiș

#### A BRANCH OFFICE:

Strada Văliug, nr. 32, Sector 1  
13986 București

T: +40 733 249 464  
E: [romania@reeco.info](mailto:romania@reeco.info)

### Croatia | Slovenia

Ulica grada Vukovara 271  
10000 Zagreb,

T: +385 99 44 89 666  
E: [croatia@reeco.info](mailto:croatia@reeco.info)

### Serbia

T: +381 66 03 01 03  
E: [serbia@reeco.info](mailto:serbia@reeco.info)

### Bulgaria

Botevgradsko Logistics Park  
blvd. Botevgradsko Shose 228  
1839 Sofia

T: +359 877 066 363  
E: [office@renex.bg](mailto:office@renex.bg)

### North Macedonia

Stojka Cekova 58,  
1000 Skopje

T: +389 22 550 519  
T: +389 70 261 741  
E: [office@renex.mk](mailto:office@renex.mk)